

Laser tracker extensions T-Probe and T-Mac

Leica T-Probe

Technical data

Measurement volume	30 m 360° horizontal ± 45° vertical
Measuring speed	1000 points./s
Measuring precision	$U_{3D} = 100 \mu\text{m}$ under 7 m



T-sample

Leica T-Mac

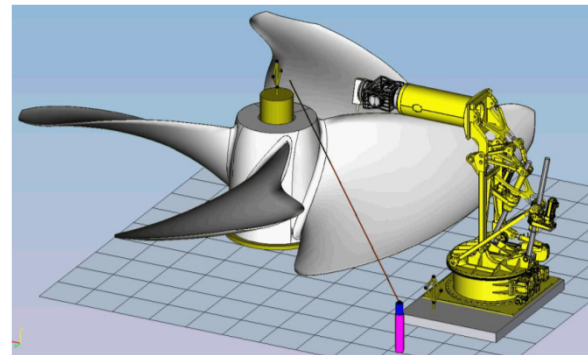
Technical data

Measurement volume	30 m 360° horizontal ± 45° vertical
Measuring speed	1000 points./s
Positioning precision	± 15 μm + 6 $\mu\text{m}/\text{m}$
Positioning accuracy for a typical robot drilling application	50 μm

Areas of use / applications

The area of application of the laser tracker can be extended in combination with the Leica AT 960 LR

- Additional determination of the orientation - measurement of all 6 degrees of freedom
- Tactile measuring of covered points on complex large structures
- 6D tracking by the robot controller in the automated machining of large components



robot controller



T-Mac